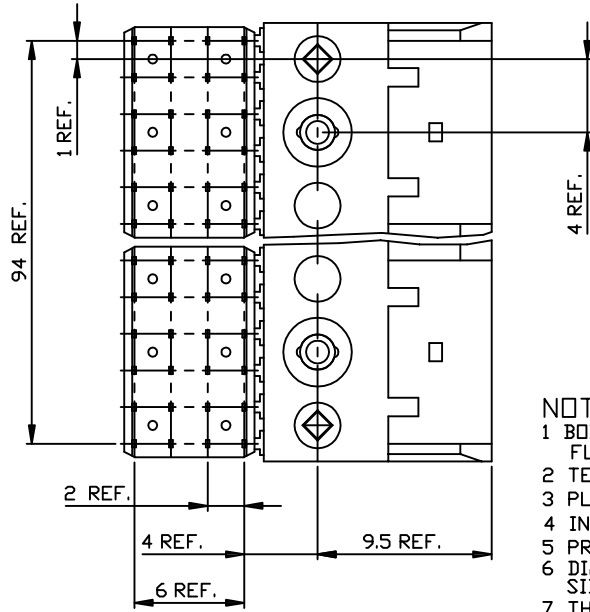
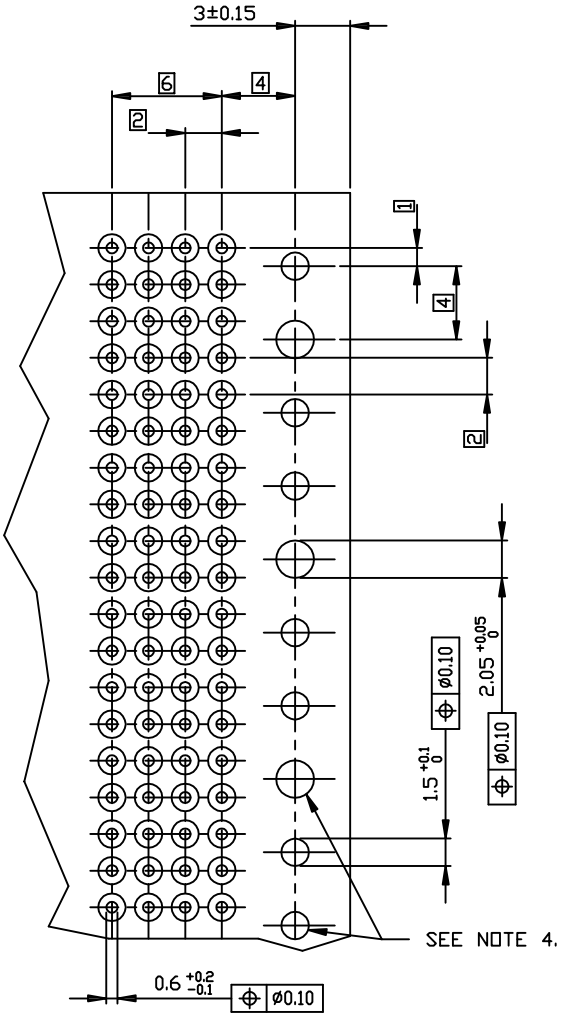
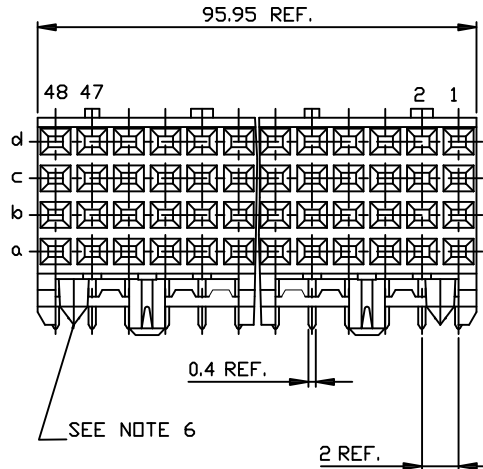
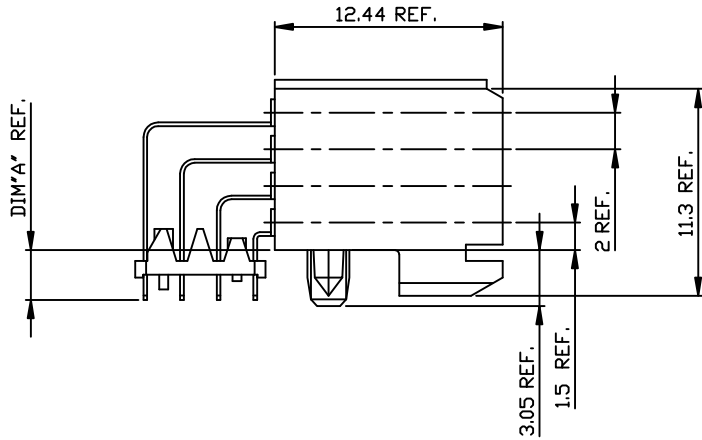
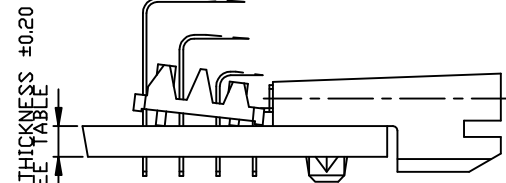


PC BOARD VERSIONS		
PRODUCTNR:	PCB THICKNESS	DIM'A'
89038-X01/X01LF	1.6	2.90
89038-X11/X11LF	2.4	3.53



PRODUCT AFTER PC BOARD APPLICATION.



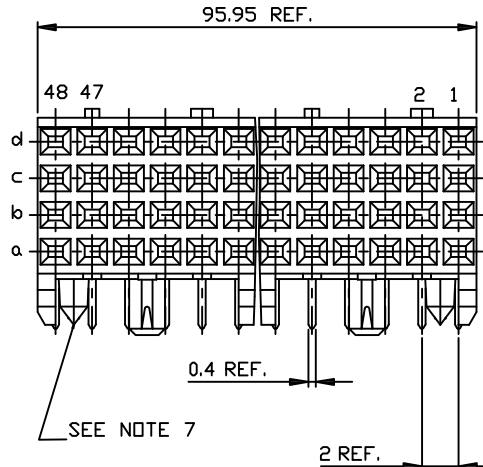
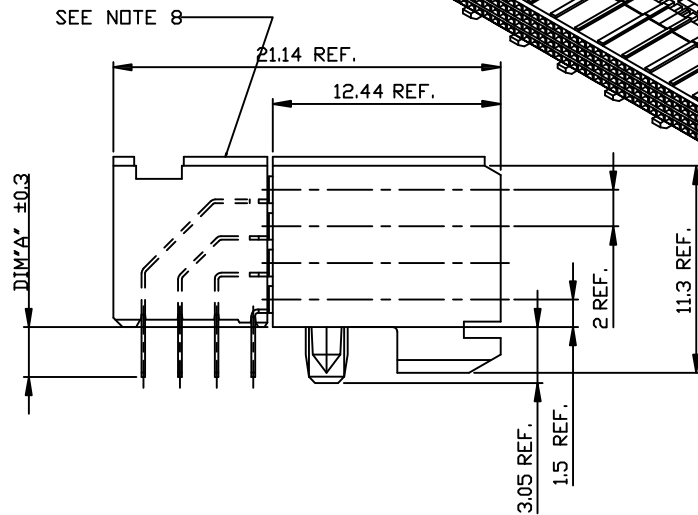
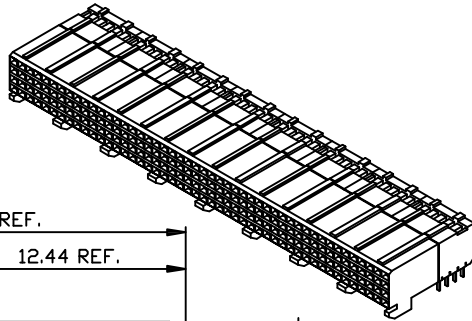
- NOTES:**
- 1 BODY MAT'L: LIQUID CRYSTAL POLYMER 30% GLASS FLAME RETARDANT ACC. UL 94-V0
 - 2 TERMINAL MATERIAL: PHOSPHOR BRONZE.
 - 3 PLATING SOLDER TAILS 2-8 μm SnPb 90-97 OR 2-8 μm PURE Sn
 - 4 INDICATED HOLES ARE UNPLATED.
 - 5 PRODUCT MARKING: PART NUMBER & BATCH ID.
 - 6 DIAMOND LOCATION PEG ARE ONLY EXISTED ON THE BOTH T. SIDES OF PRODUCT
 - 7 THIS PRODUCT MEETS EUROPEAN UNION DIRECTIVES AND OTHER COUNTRY REGULATIONS AS DESCRIBED IN GS-22-008.
 - 8 THE HOUSING WILL WITHSTAND EXPOSURE TO 260 DEGREE PEAK TEMPERATURE FOR 10 SECONDS IN A WAVE SOLDER APPLICATION.

All rights strictly reserved. Reproduction or use in any form without written authority from the proprietor. Property of F.C.T. Inc. © F.C.T. Inc.

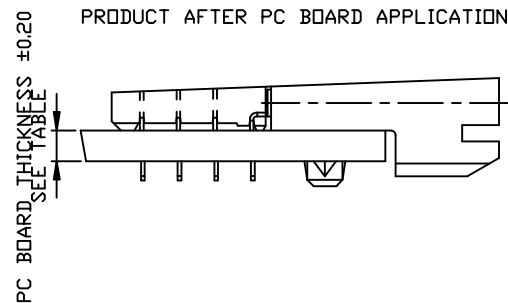
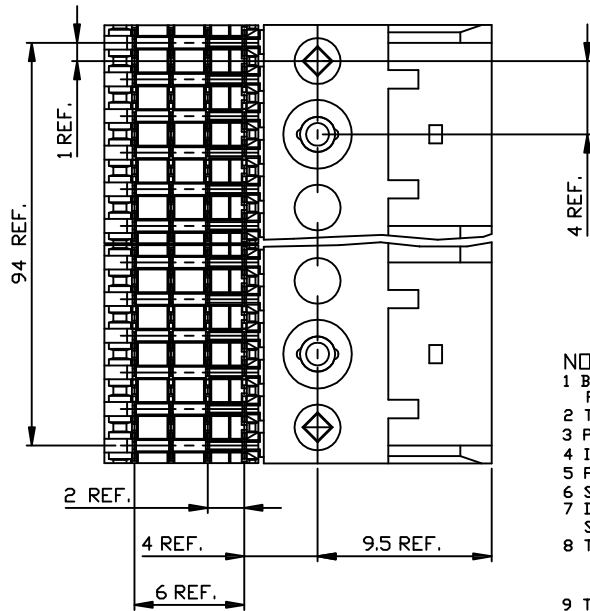
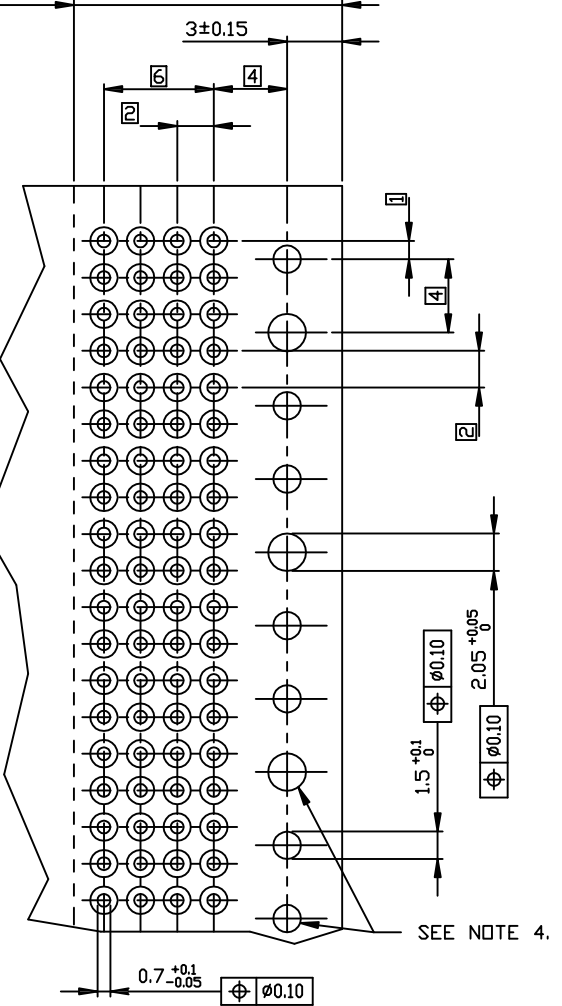
PLATING CONTACT AREA:	
DASH NR:	PERFORMANCE LEVEL:
-1YY/1YYLF	TELCORDIA CO
-2YY/2YYLF	CUSTOMER SPECIAL
-3YY/3YYLF	CUSTOMER SPECIAL
-9YY/9YYLF	TELCORDIA CO

mat'l. code		tolerances unless otherwise specified		CUSTOMER COPY		FCI	
J	0604-004	CLW	041221	linear	projection	title RA FEMALE SIGNAL	
K	0606-070	CenH	11/23/06		product family	96 mm PRESS PEG	
L	0607-071	CenH	05/25/07	angles	scale	A2	
M	0608-071	TER	8/26/08	clr	H.Boulknegt	930202	code 213
				engr	H. Boulknegt	940311	sheet 1 of 3
G	V00578	LLA	000316	chr	S.Lee	930203	
H	V00847	LLA	000530	appd	J.Vintjes	930203	
sheet	revision	M	M	M	M	M	
Index	sheet	1	2	3			

PC BOARD VERSIONS		
PRODUCTNR:	PCB THICKNESS	DIM*A*
89038-X02/X02LF	1.6	2.90
89038-X12/X12LF	2.4	3.53



14.64 REF. SEE NOTE 6



- NOTES:
- BODY MAT'L: LIQUID CRYSTAL POLYMER 30% GLASS
FLAME RETARDANT ACC. UL 94-V0
 - TERMINAL MATERIAL: PHOSPHOR BRONZE.
 - PLATING SOLDER TAILS 2-8 μm SnPb 90-97 OR 2-8 μm PURE Sn
 - INDICATED HOLES ARE UNPLATED.
 - PRODUCT MARKING: PART NUMBER & BATCH ID.
 - SET BACK FOR PRESS BLOCK.
 - DIAMOND LOCATION PEG ARE ONLY EXISTED ON THE BOTH SIDES OF PRODUCT.
 - TOP SURFACE OF PRESS BLOCK MAY EXTEND UP TO 0.4MM HIGHER THAN HOUSING. THIS MAY AFFECT THE TAIL LENGTH BEFORE APPLICATION TO A BOARD
 - THIS PRODUCT MEETS EUROPEAN UNION DIRECTIVES AND OTHER COUNTRY REGULATIONS AS DESCRIBED IN GS-22-008
 - THE HOUSING WILL WITHSTAND EXPOSURE TO 260DEGREE PEAK TEMPERATURE FOR 10 SECONDS IN A WAVE SOLDER APPLICATION.

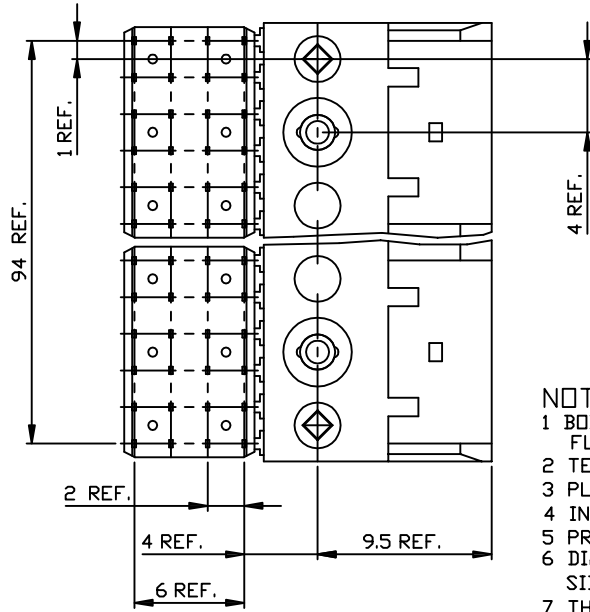
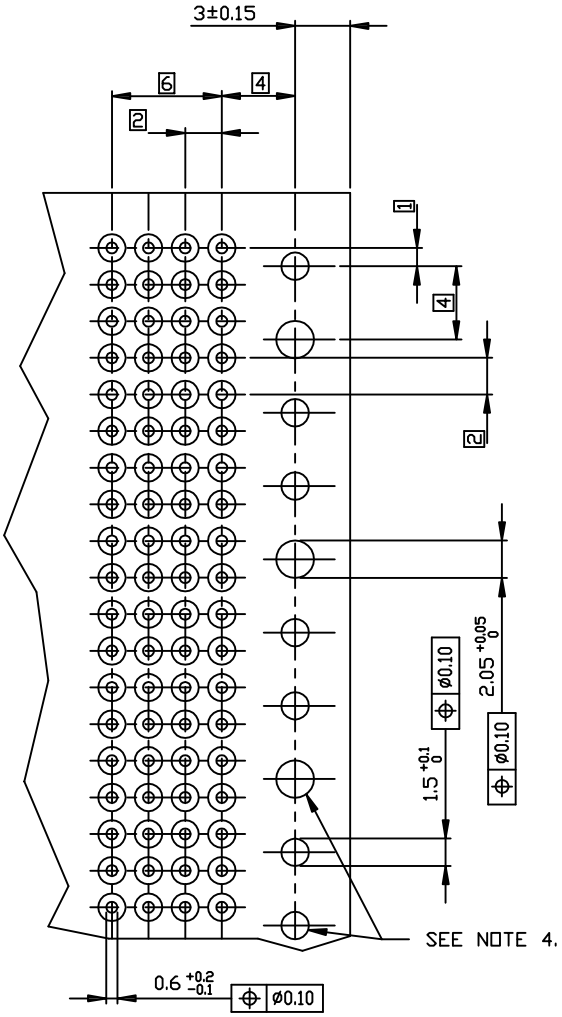
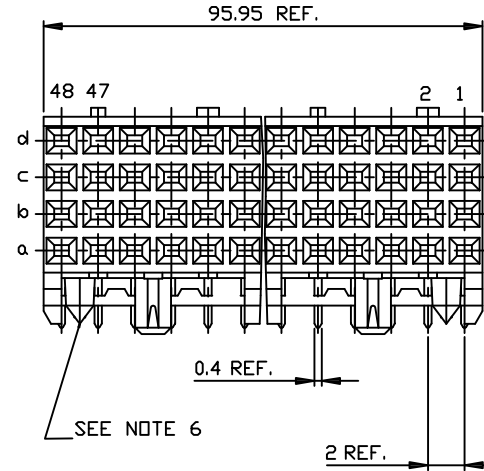
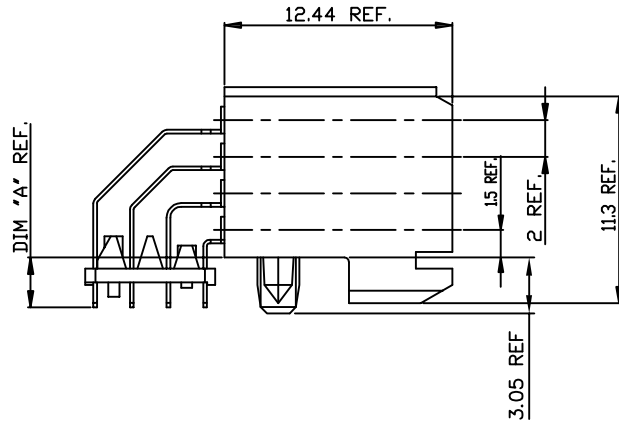
RECOMMENDED HOLE PATTERN, COMPONENT SIDE.

PLATING CONTACT AREA:	
DASH NR:	PERFORMANCE LEVEL:
-1YY/1YYLF	TELCORDIA CO
-2YY/2YYLF	CUSTOMER SPECIAL
-3YY/3YYLF	CUSTOMER SPECIAL
-9YY/9YYLF	TELCORDIA CO

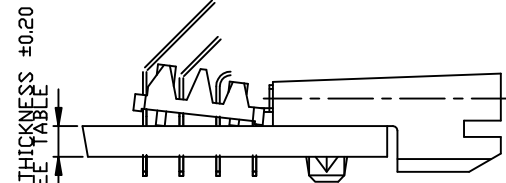
mat'l. code	tolerances unless otherwise specified	CUSTOMER COPY		title RA FEMALE SIGNAL 96 mm PRESS PEG
ltr.ecn no.dr date	linear	projection		
M	angles		product family METRAL(tm)	code 213
	dir. D. de Bl. 970529	mm	size dwg no 89038	sheet 2 of 2
	engr. P. Schalk 970529	scale 5:1		
	chr. P. Schalk 970529			
	app. H. Coolmans 970529			
sheet revision				
Index				

All rights strictly reserved. Reproduction or use in any form without written authority from the proprietor. FCI Inc.

PC BOARD VERSIONS		
PRODUCTNR:	PCB THICKNESS	DIM 'A'
89038-X03/X03LF	1.6	2.90
89038-X13/X13LF	2.4	3.53



PRODUCT AFTER PC BOARD APPLICATION.



NOTES:

- 1 BODY MAT'L: LIQUID CRYSTAL POLYMER 30% GLASS
FLAME RETARDANT ACC. UL 94-V0
- 2 TERMINAL MATERIAL: PHOSPHOR BRONZE.
- 3 PLATING SOLDER TAILS 2-8 μm SnPb 90-97 OR 2-8 μm PURE Sn
- 4 INDICATED HOLES ARE UNPLATED.
- 5 PRODUCT MARKING: PART NUMBER & BATCH ID.
- 6 DIAMOND LOCATION PEG ARE ONLY EXISTED ON THE BOTH SIDES OF PRODUCT.
- 7 THIS PRODUCT MEETS EUROPEAN UNION DIRECTIVES AND OTHER COUNTRY REGULATIONS AS DESCRIBED IN GS-22-008.
- 8 THE HOUSING WILL WITHSTAND EXPOSURE TO 260DEGREE PEAK TEMPERATURE FOR 10 SECONDS IN A WAVE SOLDER APPLICATION.

PLATING CONTACT AREA:

DASH NR:	PERFORMANCE LEVEL:
-1YY/1YYLF	TELCORDIA CD
-2YY/2YYLF	CUSTOMER SPECIAL
-3YY/3YYLF	CUSTOMER SPECIAL
-9YY/9YYLF	TELCORDIA CD

mat'l. code		tolerances unless otherwise specified		CUSTOMER COPY		FCJ	
ltr	ecn	no	date	linear	projection	title RA FEMALE SIGNAL	
				angles	⊕	96 mm PRESS PEG	
				dir	Heaven Cen	11/23/06	product family METRAL(tm)
				eng	Collins Lu	11/23/06	code 213
				chr	Beer Fu	11/23/06	size dwg no
				app	Joseph Hsia	11/23/06	scale 5d
sheet	revision			scale	A2	89038	sheet 3 of-
Index	sheet						

All rights strictly reserved. Reproduction or issue in any form without written authority from the proprietor. FCJ Inc.